

MARS PRO 1200

TECHNICAL DATA



HIGHLIGHTS

- Compact design enabling trouble-free installation and relocation
- V-shaped tabletop
- Sloped front
- Excellent light distribution
- Electrical sliding front window
- Easy window cleaning on both sides

For more information please visit
www.labogene.com

Details

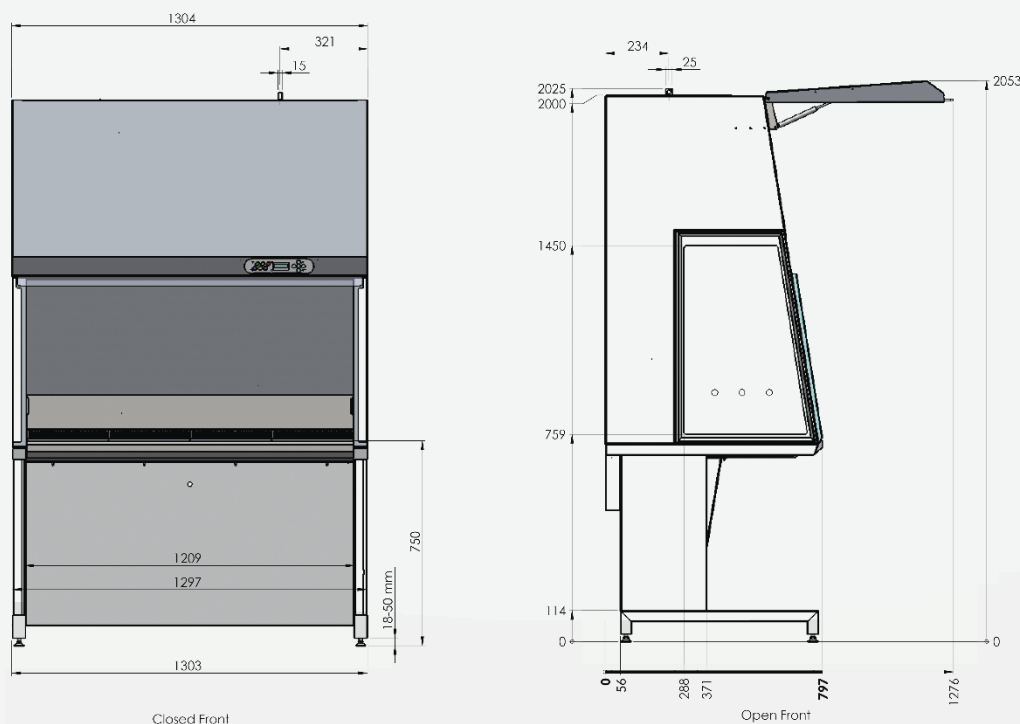
Product family	MARS PRO
Model	1200
Product type	Class II Biological Safety Cabinet according to EN 12469 and DIN 12980
Certificates	GS
Compliance with	EN 12469, DIN 12980, EN 61010-1, EN 61000-6, EN 11201
e-catalogue classification (UNSPSC code)	411035 Laminar flow cabinets or stations

General specifications	Unit		Note
Sound pressure level at factory settings	dB(A)	≤ 49	According to EN 11201
Sound pressure level in Eco-Save mode	dB(A)	≤ 38	Optional automatic mode shift available (PIR)
Downflow, air velocity	m/s	0,28 ± 0,01	Factory setting according to EN 12469
Inflow, air velocity	m/s	0,45	Factory setting according to EN 12469
Exhaust, air flow rate	m ³ /h	389	Factory setting according to EN 12469
Light illuminance (LED or fluorescent tube)	Lux	> 2000	Dimmable
Work opening (height)	mm	200	Factory setting (adjustable between 0-300mm)
Number of tabletop segments		4	Customized layout and accessories upon request
Filter construction in accordance with EN 1822-1		3-filter system, HEPA, at least Class U17	Available up to Class U17
Tabletop and trough material		AISI 304 stainless steel	Optional AISI 316 stainless steel available
Tabletop maximum total load	kg	100	
Side window material		5 mm hardened glass w. 3 x ø22 mm holes	Other hole options available
Front window material		6 mm laminated safety glass	Optional anti-reflex coating available
Cabinet and back wall material/colour		Polyester coated steel/RAL 9016	Other RAL colours available upon request

Dimensions	Unit		Note
External dimensions with adjustable stand (Std. height) (DxWxH)	mm	797 x 1304 x 2033	See drawing for details. Can pass through a standard door opening size 0,9 x 2,1 m. Stand is available as an option
Tabletop height with adjustable stand (Std. height)	mm	750 (Range 745-780)	2 additional stand heights available as options
External dimensions with electrical elevation stand (DxWxH)	mm	797 x 1414 x 2025-2325	Available as an option
Tabletop height with electrical elevation stand	mm	750-1050	
Work chamber dimensions (DxWxH)	mm	650 x 1200 x 700	
Net weight	kg	308	
Shipping Volume	m ³	Approximately 3,0	

MARS PRO 1200

TECHNICAL DATA



Electrical data	Unit		Note
Rated AC voltage/frequency	V/Hz	220-240/50-60	Other voltages available
Rated maximum current (fuse)	A	10	
Power outlet(s) maximum total current (fuse)	A	6,3	
Type of power outlet socket, pair, left & right side		Specific to country of use	Select between 9 different regional types
Typical power consumption excl. power outlets	VA/W	154/142	With fluorescent dimmable light. At factory setting and normal operation
Typical power consumption excl. power outlets	VA/W	133/122	With LED dimmable light. At factory setting and normal operation
Typical power consumption in Eco-Save mode	VA/W	43/35	
Type of mains connection		3-pin male type IEC320 C14	Top mounted, right side - left side optional

Additional available options	Unit		Note
Electrical elevation - Worktop height range	mm	745-1050	
UV-C sterilisation		Easy and fast sterilisation	
Extra power outlets, pair, left & right side		Select between 9 different regional types	
Anti-blowback valve straight Ø 200 mm	mm	Additional height 305	
Anti-blowback valve side Ø 200 mm	mm	Additional height 250	
Double HEPA exhaust filter	mm	Additional height 120	
Programmable output module for external control purposes		4 sets of potential free contacts	
Hydrogen Peroxide Vapour (VHP) decontamination valves			
Media valves mounted in the side windows		All different medias available	Alternative mounting available on request

LaboGene A/S has been certified according to EN/ISO 9001 UKAS since 2011.
 LaboGene A/S owns the copyright of this data sheet. Subject to technical changes.
 Illustrations may contain options and modifications not supplied as standard.

LaboGene A/S
 Bjarkesvej 5
 DK-3450 Allerød

Tel (+45) 3940 2566
 Mail info@labogene.com
 Web www.labogene.com

